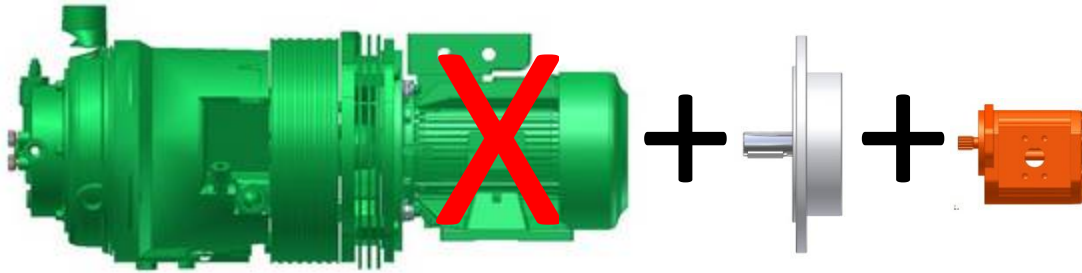




Hydapter

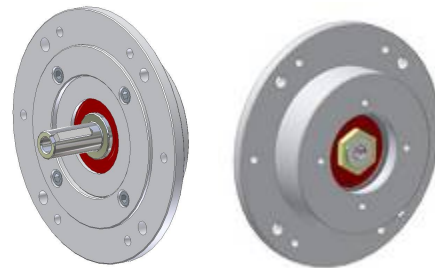


The easy way to drive pumps, compressors and rotary equipment hydraulically.



Hydapter Features:

- A quick and easy means of fitting rotary equipment (e.g. pumps / compressors), normally driven electrically, with hydraulic drive.
- “Plug-and-play” fitting of SAE flanged equipment with spline drive.
- A robust bearing assembly which will withstand overhung loads*.
- Hydapter allows the use of gear motors on equipment where an impeller or other overhung load would not normally be permissible.
- Modular construction suits flange or face mount.
- Additional Mounting Points
- Range of IEC flange and output shaft sizes.
- NEMA Sizes on request.
- Special Sizes to order.

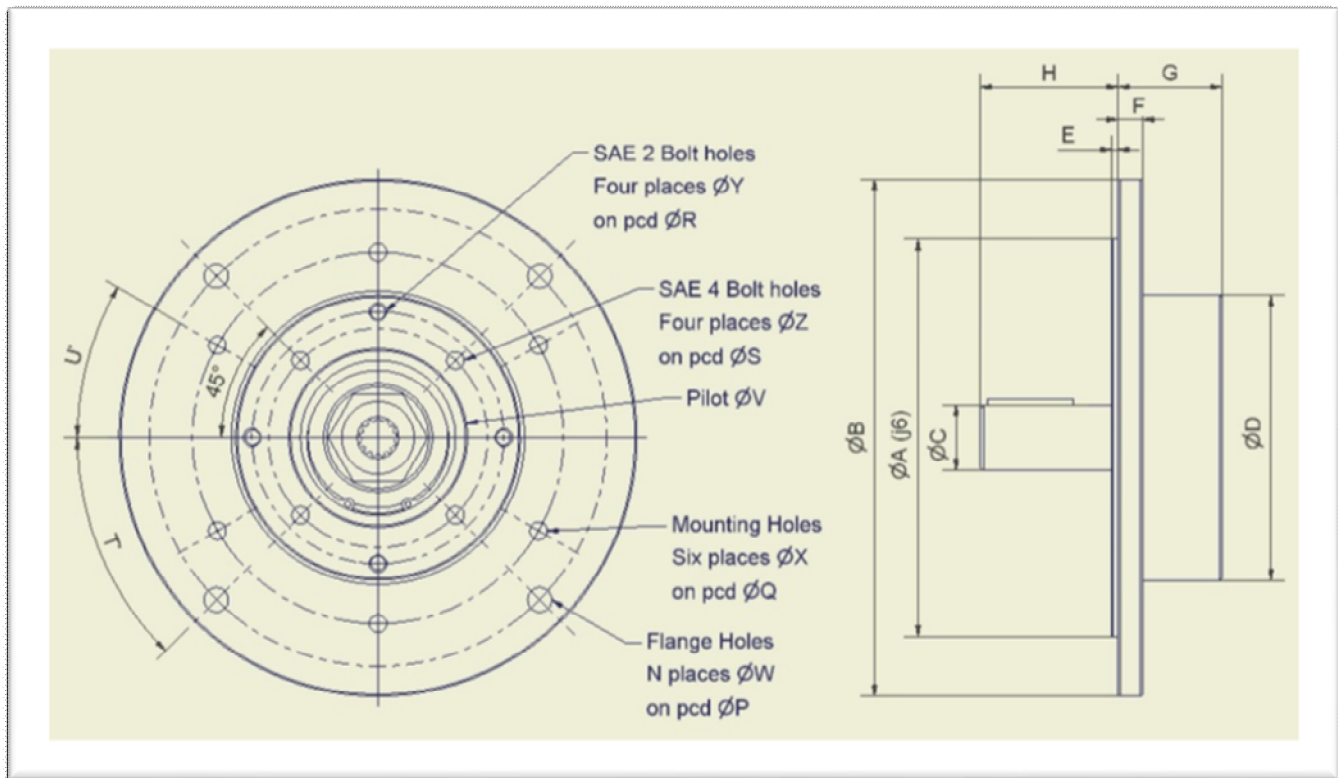


Hydapter Range:

Part Code	IEC Flange Size	Output Shaft Size	IEC Equivalent Motor Frame	Nominal Motor Power	SAE Flange SAE J	Drive Spline SAE J498*
DK-1013-A900	FF165	24 x 50	90	1.1 - 1.8 kW	SAE A 2 bolt	9t 16/32
DK-1013-A112	FF215	28 x 60	100 / 112	2.2 - 4 kW	SAE A 2 bolt	9t 16/32
DK-1013-A132	FF265	38 x 80	132	5.5 - 7.5 kW	SAE A 2 bolt	9t 16/32
DK-1013-B132	FF265	38 x 80	132	5.5 - 7.5 kW	SAE B 2/4 bolt	13t 16/32
DK-1013-B160	FF300	42 x 110	160	9-15 kW	SAE B 2/4 bolt	13t 16/32
DK-1013-B180	FF300	48 x 110	180	18.5 - 22 kW	SAE B 2/4 bolt	13t 16/32
DK-1013-C180	FF300	48 x 110	180	18.5 - 22 kW	SAE C 2/4 bolt	14t 12/24
DK-1013-C200	FF350	55 x 110	200	30 kW	SAE C 2/4 bolt	14t 12/24
DK-1013-C225	FF400	60 x 140	225	37 - 45 kW	SAE C 2/4 bolt	14t 12/24
DK-1013-D225	FF400	60 x 140	225	37 - 45 kW	SAE D 2/4 bolt	13t 8/16
DK-1013-D250	FF500	65 x 140	250	55 kW	SAE D 2/4 bolt	13t 8/16

*It is the responsibility of the assembler to ensure the torque ratings of the equipment are not exceeded. Contact Keyte Smith Ltd for permissible shaft loads.

Hydapter Dimensions:



Part Code	Flange				Flange Holes				Shaft		Body			Mounting Holes			Pilot	2 Bolt		4 Bolt	
	A	B	E	F	N	W	P	T*	C	H	D	G	M	X	Q	U*	V	Y	R	Z	S
DK-1013-A900	130 j6	200	3.5	10	4	12	165	45	24 j6	50	130	43	4	M12	165	0	82.55H7	M10	106.8	n/a	n/a
DK-1013-A112	180 j6	250	4	12	4	14.5	215	45	28 j6	60	165	52	6	M12	215	30	82.55H7	M10	106.8	n/a	n/a
DK-1013-A132	230 j6	300	4	14	4	14.5	265	45	38 k6	80	165	52	6	M12	215	30	82.55H7	M10	106.8	n/a	n/a
DK-1013-B132	230 j6	300	4	14	4	14.5	265	45	38 k6	80	165	60	6	M12	215	30	101.6H7	M12	146	M12	127
DK-1013-B160	250 j6	350	5	14	4	18.5	300	45	42 k6	110	165	60	6	M16	300	30	101.6H7	M12	146	M12	127
DK-1013-B180	250 j6	350	5	14	4	18.5	300	45	48 k6	110	165	60	6	M16	300	30	101.6H7	M12	146	M12	127
DK-1013-C180	250 j6	350	5	14	4	18.5	300	45	48 k6	110	210	69	6	M16	300	30	127H7	M16	182	M16	162
DK-1013-C200	300 j6	400	5	15	4	18.5	350	45	55 m6	110	210	69	6	M16	300	30	127H7	M16	182	M16	162
DK-1013-C225	350 j6	450	5	16	8	18.5	400	22.5	60 m6	140	210	69	6	M16	300	30	127H7	M16	182	M16	162
DK-1013-D225	350 j6	450	5	16	8	18.5	400	22.5	60 m6	140	270	102	6	M16	300	30	152.6H7	22*	228.6	22	228.6
DK-1013-D250	450 j6	550	5	18	8	18.5	500	22.5	65 m5	140	270	102	6	M16	300	30	152.6H7	22*	228.6	22	228.6

*Holes in SAE D flange are drilled through.

Hydapter Frames:

To complement the Hydapter Range we can offer a series of standard support frames. If your application requires something special then we would be happy to design a frame for you. Frames can be designed to meet any structural standard (e.g. rail) with supporting calculations/analysis if required, making them ideal for static and mobile applications.

Anything Else?

Keyte Smith Ltd can also supply associated equipment such as hydraulic motors, valves, pipework, anti-vibration mountings and cooler units. We can also assist with system design and the design and supply of other bespoke items.

Keyte Smith Ltd specialise in the design and supply of bespoke mechanical, hydraulic and compressed air drive systems. If you have a special requirement then please contact us.



Keyte Smith Ltd
 Tel: 0115 965 6671
 Web: www.keytesmith.com
 Email: info@keytesmith.com

